



Deluxe Series Chime

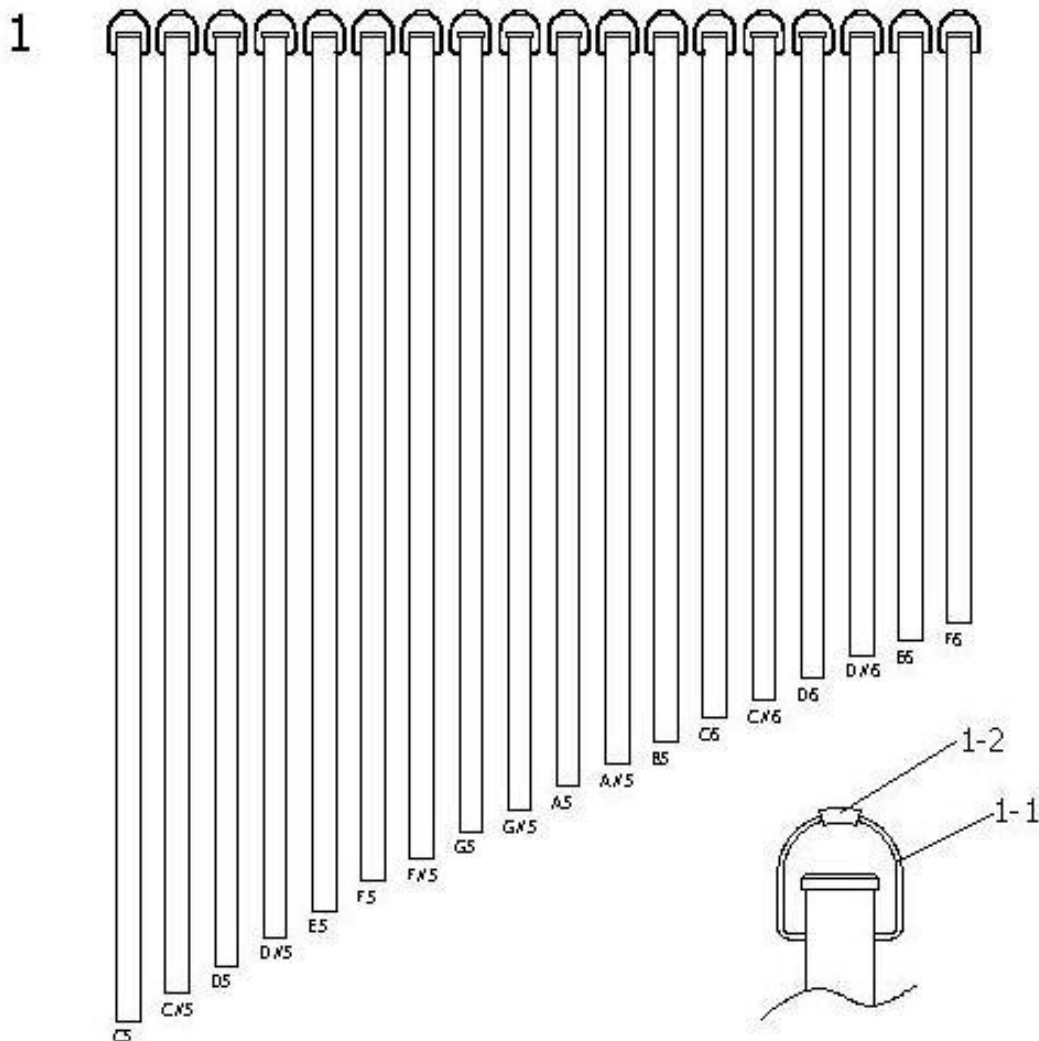
C6618C/C6618B



C6618C/C6618B Component Detail:

Note	Part Number	Description
1	PTC6618-BCA	C6618C 1 ½" Chrome 18 Note Chime Tube Set
1	PTC6618-BA	C6618B 1 ½" Brass 18 Note Chime Tube Set

2	PCC6618A	Frame Assembly Complete for C6618C/C6618B
---	----------	---



1. PTC6618-BCA Component Detail:

Note	Part Number	Description
C5	PT608-B05CC	C5 Chime Tube (1 ½" Chrome)
C#5	PT608-B55CC	C#5 Chime Tube (1 ½" Chrome)
D5	PT608-B05DC	D5 Chime Tube (1 ½" Chrome)
D#5	PT608-B55DC	D#5 Chime Tube (1 ½" Chrome)
E5	PT608-B05EC	E5 Chime Tube (1 ½" Chrome)
F5	PT608-B05FC	F5 Chime Tube (1 ½" Chrome)
F#5	PT608-B55FC	F#5 Chime Tube (1 ½" Chrome)
G5	PT608-B05GC	G5 Chime Tube (1 ½" Chrome)
G#5	PT608-B55GC	G#5 Chime Tube (1 ½" Chrome)
A5	PT608-B05AC	A5 Chime Tube (1 ½" Chrome)
A#5	PT608-B55AC	A#5 Chime Tube (1 ½" Chrome)
B5	PT608-B05BC	B5 Chime Tube (1 ½" Chrome)



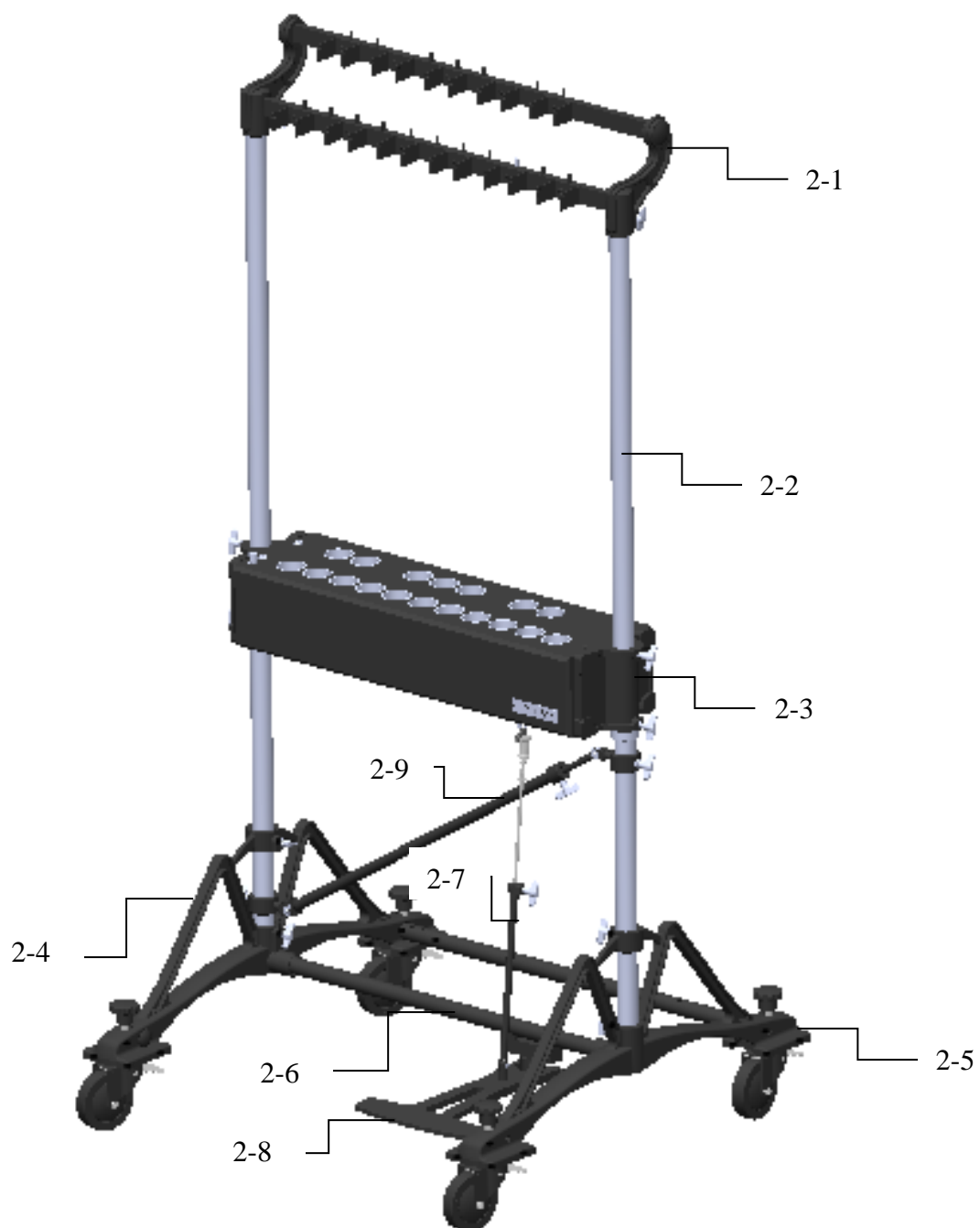
C6	PT608-B06CC	C6 Chime Tube (1 ½" Chrome)
C#6	PT608-B56CC	C#6 Chime Tube (1 ½" Chrome)
D6	PT608-B06DC	D6 Chime Tube (1 ½" Chrome)
D#6	PT608-B56DC	D#6 Chime Tube (1 ½" Chrome)
E6	PT608-B06EC	E6 Chime Tube (1 ½" Chrome)
F6	PT608-B06FC	F6 Chime Tube (1 ½" Chrome)

1. PTC6618-BA Component Detail:

Note	Part Number	Description
C5	PT608-B05C	C5 Chime Tube (1 ½" Brass)
C#5	PT608-B55C	C#5 Chime Tube (1 ½" Brass)
D5	PT608-B05D	D5 Chime Tube (1 ½" Brass)
D#5	PT608-B55D	D#5 Chime Tube (1 ½" Brass)
E5	PT608-B05E	E5 Chime Tube (1 ½" Brass)
F5	PT608-B05F	F5 Chime Tube (1 ½" Brass)
F#5	PT608-B55F	F#5 Chime Tube (1 ½" Brass)
G5	PT608-B05G	G5 Chime Tube (1 ½" Brass)
G#5	PT608-B55G	G#5 Chime Tube (1 ½" Brass)
A5	PT608-B05A	A5 Chime Tube (1 ½" Brass)
A#5	PT608-B55A	A#5 Chime Tube (1 ½" Brass)
B5	PT608-B05B	B5 Chime Tube (1 ½" Brass)
C6	PT608-B06C	C6 Chime Tube (1 ½" Brass)
C#6	PT608-B56C	C#6 Chime Tube (1 ½" Brass)
D6	PT608-B06D	D6 Chime Tube (1 ½" Brass)
D#6	PT608-B56D	D#6 Chime Tube (1 ½" Brass)
E6	PT608-B06E	E6 Chime Tube (1 ½" Brass)
F6	PT608-B06F	F6 Chime Tube (1 ½" Brass)

Note	Part Number	Description
1-1	PC6518-258	Bar Cord
1-2	PC6518-021	Terminal Part

2

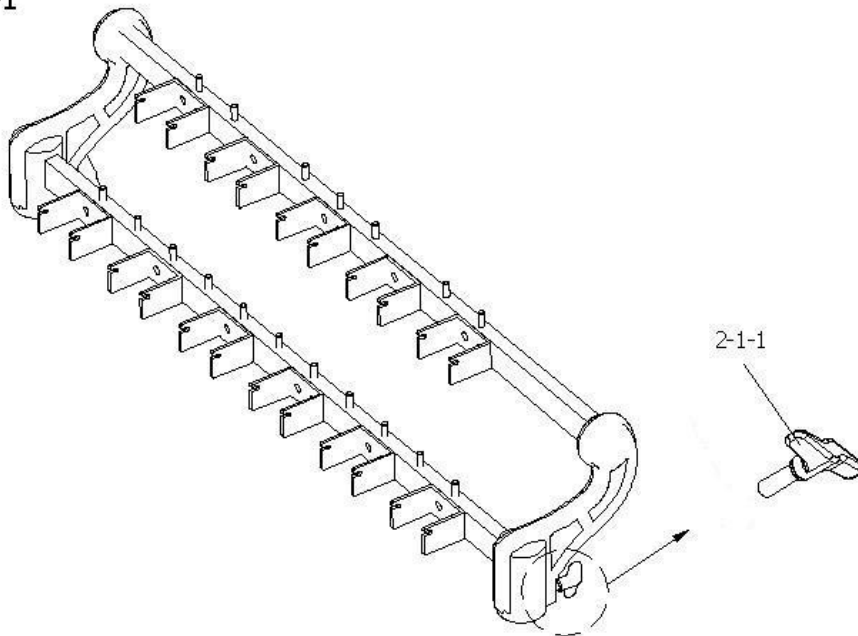


2. PCC6618A Component Detail:



Note	Part Number	Description
2-1	PC6618-004A	Hanger Assembly
2-2	PC1618-011	Frame Tube
2-3	PC1618-101A	Damper Box Complete(for Lacquered Tubes)
2-3	PC1618C-101A	Damper Box Complete(For Chrome-Plated Tubes)
2-4	PC6618-001LA	Leg Assembly (left)
2-5	PC6618-001RA	Leg Assembly (right)
2-6	PC1618-635BA	Pedal Crossbar
2-7	PC6518-3780A	Pull Rod Assembly Complete
2-8	PC6618-220A	Pedal Assembly
2-9	PC6618-3780A	Crossbar Assembly Complete

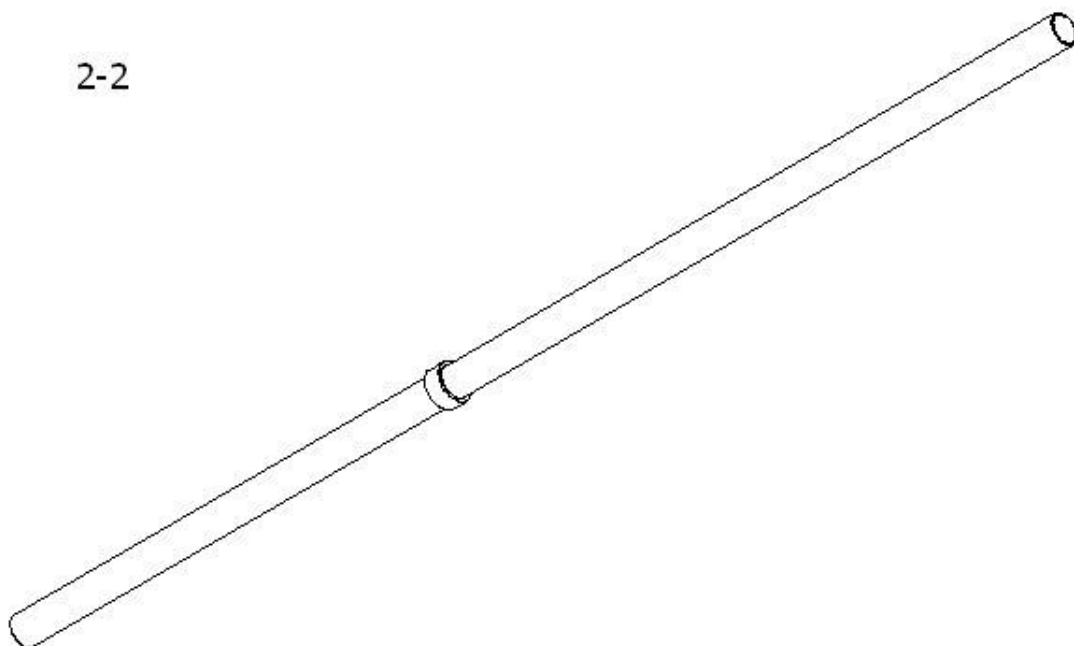
2-1



2-1. PC6618-004A Component Detail:

Note	Part Number	Description
2-1	PC6618-004A	Hanger Assembly
2-1-1	PJZ0800230A	Wing Bolt

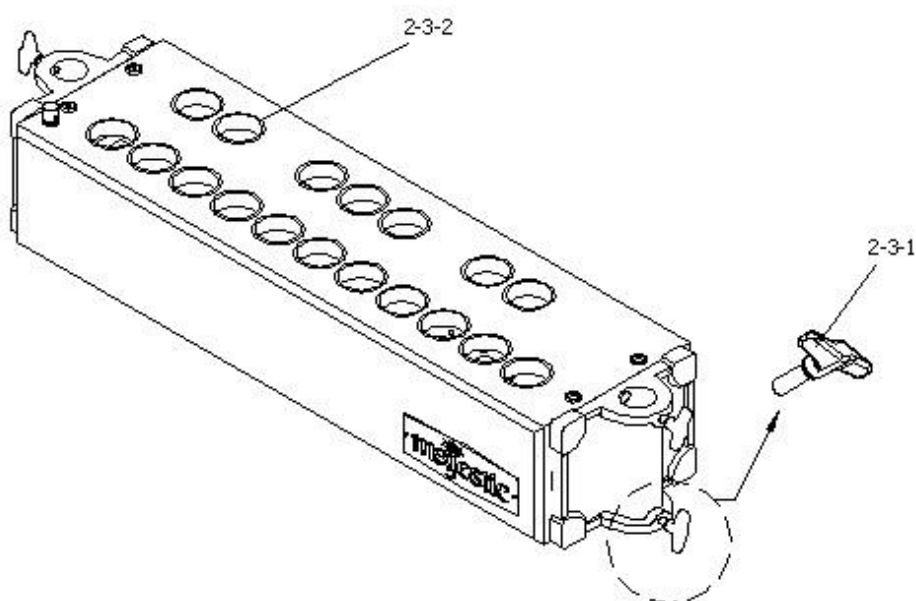
2-2



2-5. PC6618-011 Component Detail

Note	Part Number	Description
2-2	PC6618-011	Frame Tube

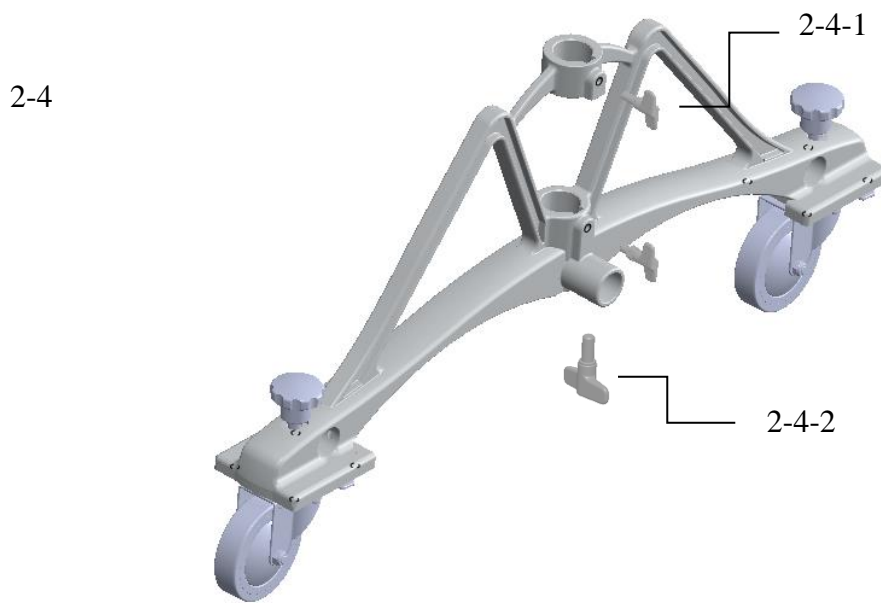
2-3



2-3. PC1618-101A Component Detail

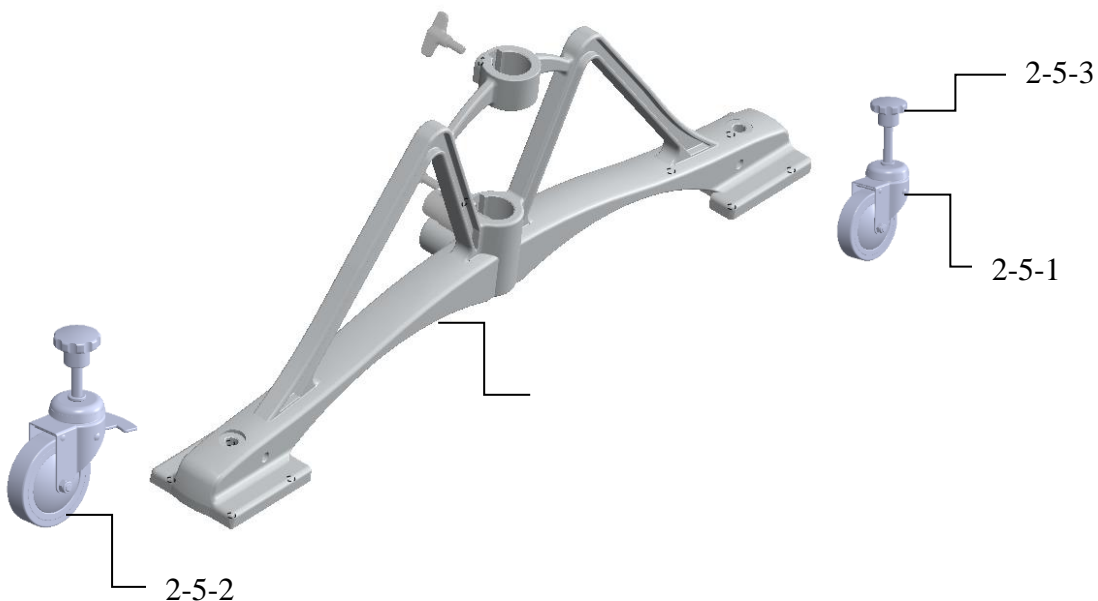


Note	Part Number	Description
2-3	PC1618-101A	Damper Box Complete(for Lacquered Tubes)
2-3	PC1618C-101A	Damper Box Complete(For Chrome-Plated Tubes)
2-3-1	PJZ0800230A	Wing Bolt
2-3-2	PC6618-785	Mute Strip



2-4. PC6618-001LA Component Detail

Note	Part Number	Description
2-4	PC6618-001LA	Leg Assembly (left)
2-4-1	PJZ0800230A	Wing Bolt
2-4-2	PJZ0800300A	Wing Bolt

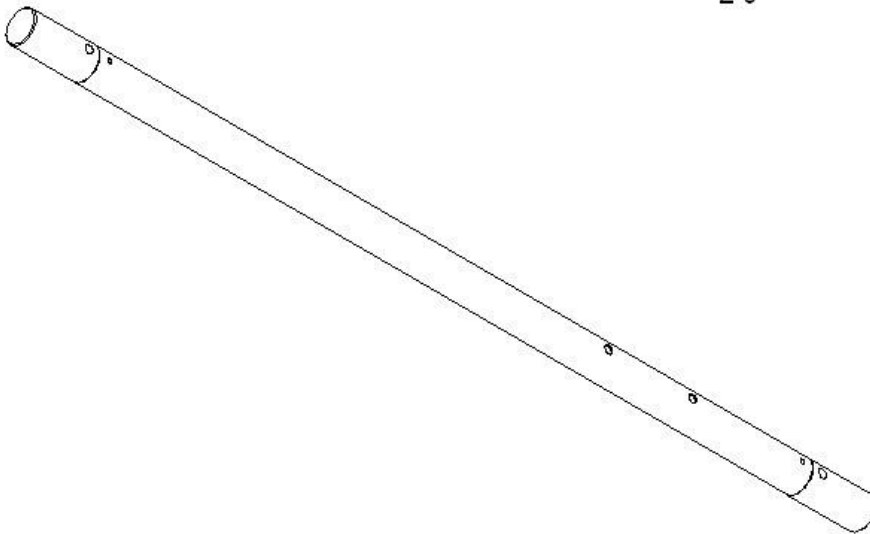


2-5. PC6618-001RA Component Detail



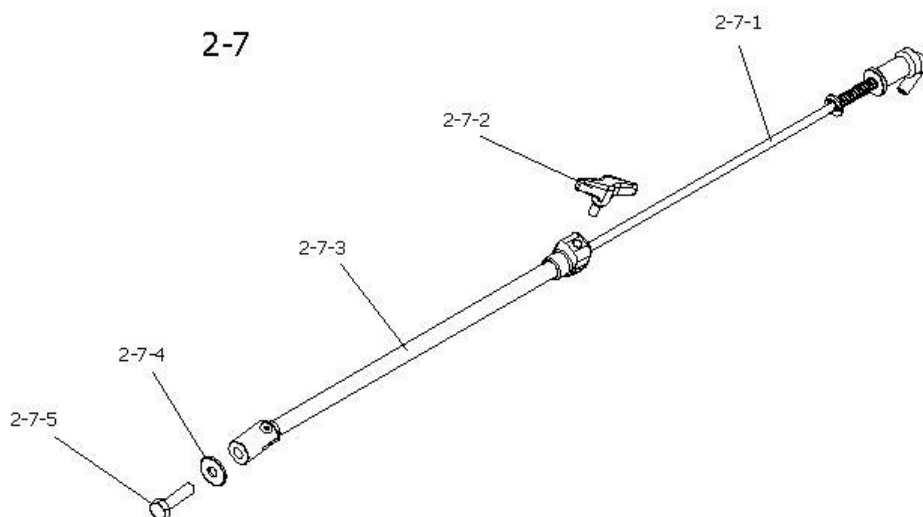
Note	Part Number	Description
2-5	PC6618-001RA	Leg Assembly (right)
2-5-1	PL8622-251	4" Pneumatic Wheel
2-5-2	PL8622-252	4" Locking Pneumatic Wheel
2-5-3	PFC0120180	Knob M12*18L

2-6



2-6. PC1618-635BA Component Detail

Note	Part Number	Description
2-6	PC1618-635BA	Pedal Crossbar

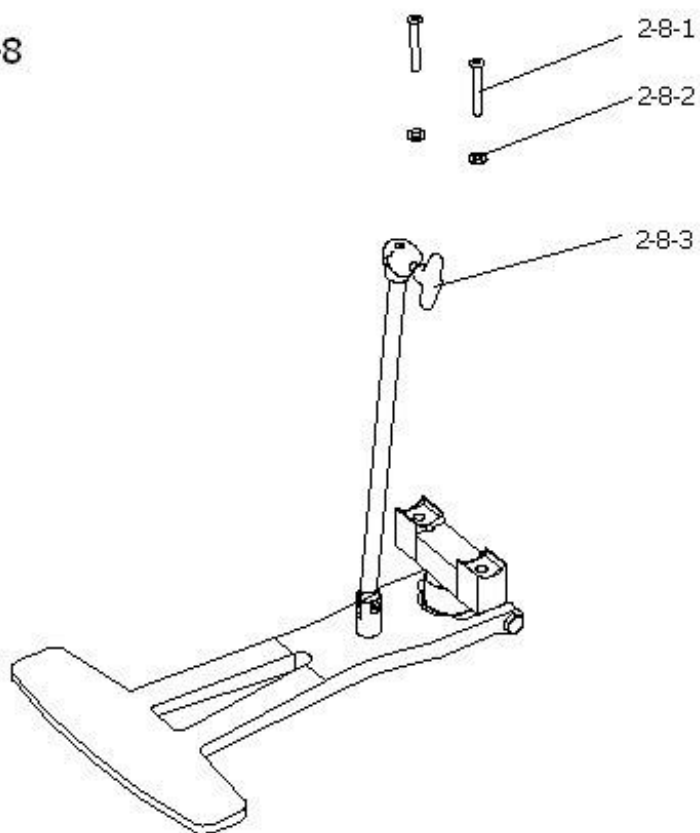


2-7. **PC6518-3780A** Component Detail

Note	Part Number	Description
2-7	PC6518-3780A	Pull Rod Assembly Complete
2-7-1	PC6518-380A	Upper Pull Rod Assembly
2-7-2	PJZ0600150A	Wing Screw
2-7-3	PC1618-370A	Lower Pull Rod Assembly
2-7-4	PWK22008215B	Flat Washer
2-7-5	PSH080030013	Hex Head Bolt



2-8

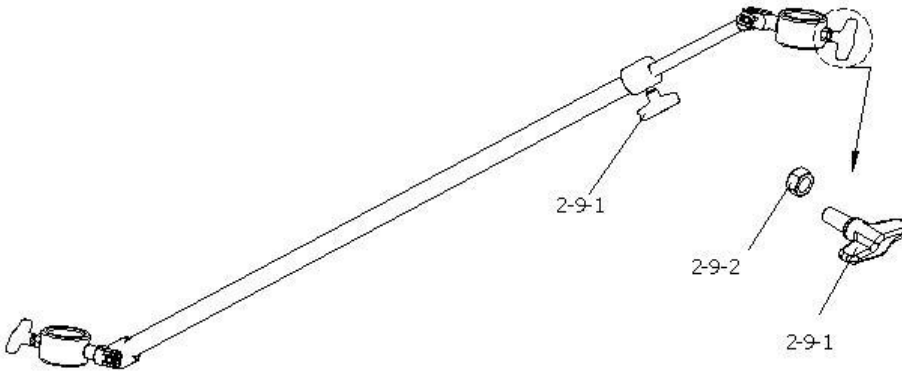


2-8. **PC6618-220A** Component Detail

Note	Part Number	Description
2-8	PC6618-220A	Pedal Assembly
2-8-1	PSC0600450HB	Allen Bolt
2-8-2	PWK15006220B	Flat Washer
2-8-3	PJZ0600150A	Wing Screw



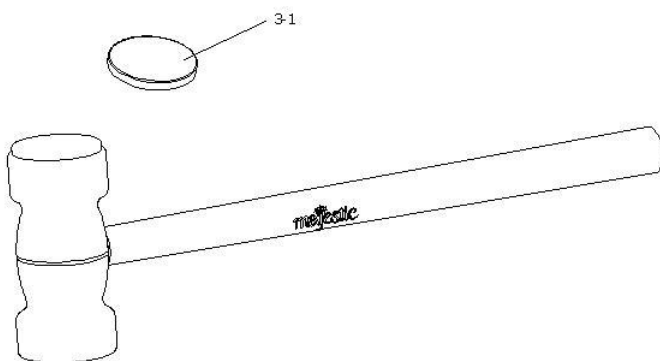
2-9



2-9. PC6618-3780A Component Detail

Note	Part Number	Description
2-9	PC6618-3780A	Crossbar Assembly Complete
2-9-1	PJZ0800170A	Wing Bolt
2-9-2	PNH080006512	Hexagonal Nut

3

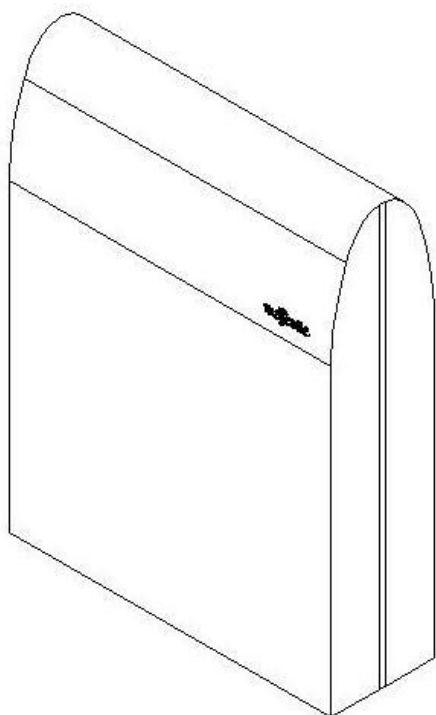


3. PC6618-505 Component Detail

Note	Part Number	Description
3	PC6618-505	Majestic Chime Mallet
3-1	PC6618-265	Cowskin



4



4. PC6618-X60C Component Detail

Note	Part Number	Description
4	PC6618-X60C	Majestic Chime Cover